

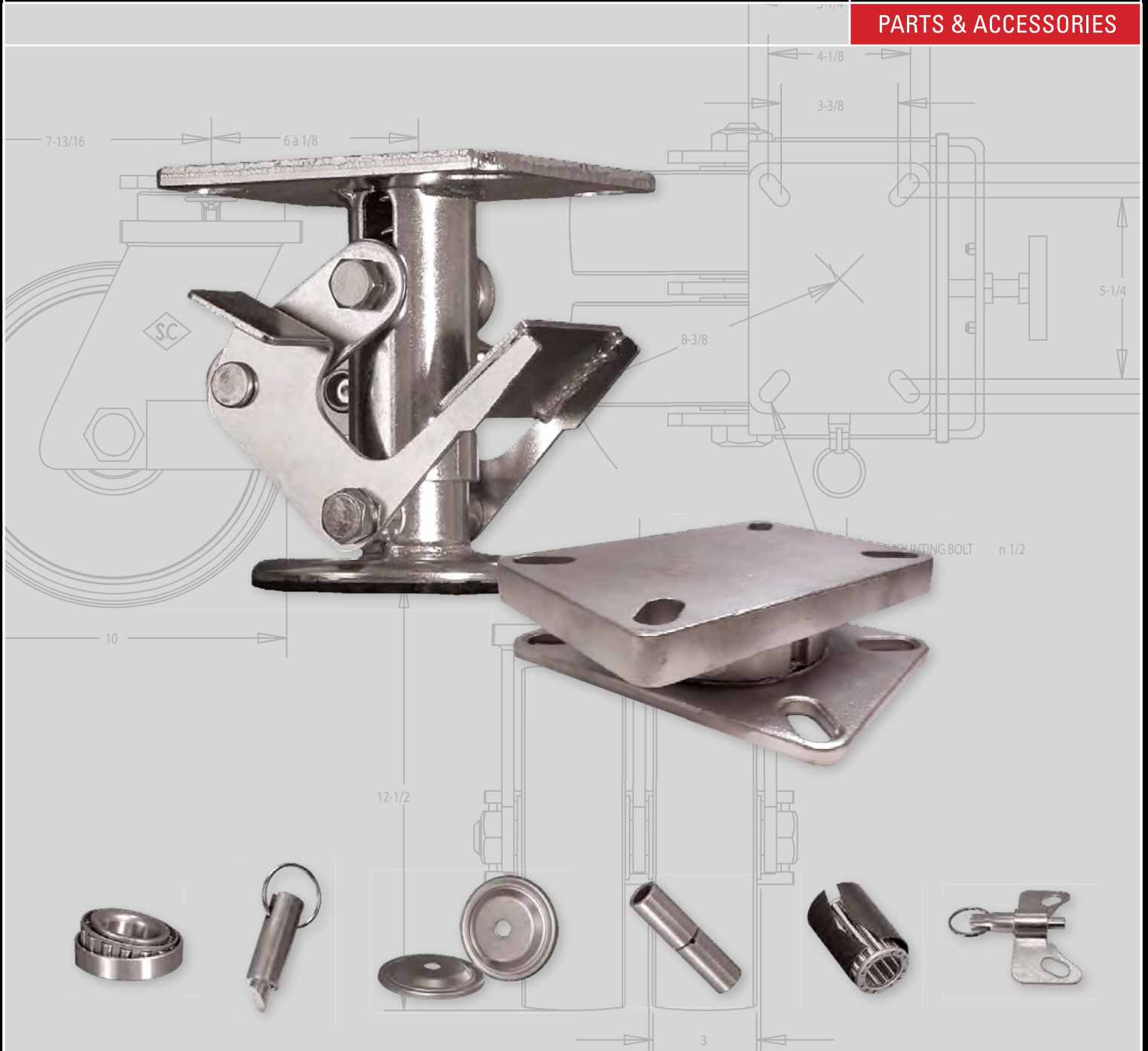


DURABLE SUPERIOR CASTERS®

MANUFACTURER OF CASTERS AND WHEELS 60LB-40,000LB CAPACITY

2023 CATALOG

PARTS & ACCESSORIES



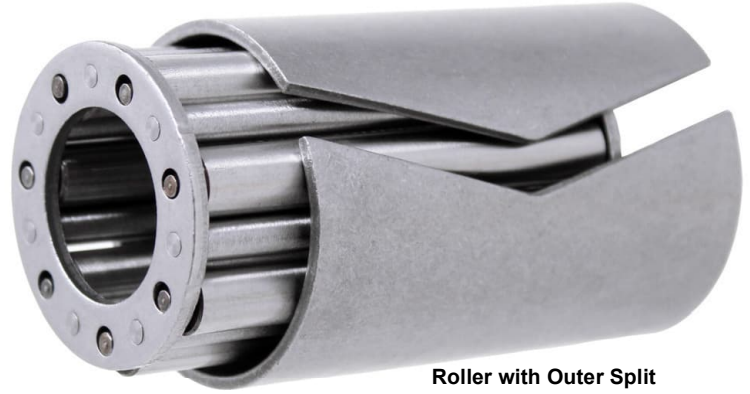
1-800-848-4517

WWW.DURABLECASTERS.COM





Caged Roller



Roller with Outer Split

Bearing I.D.	Wheel Bore	Bearing Length	Wheel Hub Length	Roller Bearing Type		
				Roller (Standard)	Stainless Steel Roller	Caged Roller
1/2"	15/16"	1"	1-1/4"	SRBSP2A		
	15/16"	1-1/2"	1-7/8"	SRBSP29		
	15/16"	1-1/4"	1-3/4"	SRBSP20		
1/2"	1-1/16"	1-1/4"	1-5/16"	SRBSP0A		
	1-1/16"	1-1/8"	1-3/8"	SRBSP00		
1/2"	1-3/16"	1-3/8"	1-5/8"	SRBSPA3		
5/8"	1-3/16"	1-3/8"	1-5/8"	SRBSP01		
	1-3/16"	1-7/8"	2-3/16"	SRBSP02		
3/4"	1-3/16"	1-1/2"	1-3/4"	SRBSP36		
	1-3/16"	1-1/4"	1-1/2"	SRBSPS3		
	1-3/16"	1-5/8"	1-15/16"			SRBSP9A
	1-3/16"	1-3/4"	2"	SRBSP08		
	1-3/16"	1-3/8"	1-5/8"	SRBSP03		SRBSP10
	1-3/16"	1-5/8"	1-27/32"	SRBSP3L		
	1-3/16"	1-7/8"	2-3/16"	SRBSP04	SRBSS05	SRBSP09
3/4"	1-3/8"	3"	3-3/16"	SRBSP38		
	1-3/8"	3-3/4"	4"	SRBSP40		
3/4"	1-7/16"	2"	2-1/4"	SRBSP07		
7/8"	1-7/16"	2"	2-1/4"	SRBSP21		
1"	1-7/16"	2"	2-1/4"	SRBSP22		
1"	1-15/16"	2-1/2"	2-3/4"	SRBSP23		
	1-15/16"	3"	3-1/4"	SRBSP24	SRBSS41	
	1-15/16"	4"	4-1/4"	SRBSP35		
1-1/4"	1-15/16"	2-1/2"	2-3/4"	SRBSP25		
	1-15/16"	3"	3-1/4"	SRBSP26		
	1-15/16"	4"	4-1/4"	SRBSP37		
1-1/4"	2-7/16"	3"	3-1/4"	SRBSP27		
	2-7/16"	4"	4-1/4"	SRBSP31		
	2-7/16"	5"	5-1/4"	SRBSP32		
1-1/2"	2-7/16"	3"	3-1/4"	SRBSP28		
	2-7/16"	3-3/4"	4"	SRBSP39		
	2-7/16"	4"	4-1/4"	SRBSP33		
	2-7/16"	5"	5-1/4"	SRBSP34		

Ball Bearings



Bearing I.D.	Wheel Bore	Wheel Hub	Bearing Type			
			(Sold per piece, requires 2 bearings per wheel)			Annular Ball Bearing
			Sealed Ball Bearing	Stainless Sealed Ball Bearing	Flanged Ball Bearings	
3/8"	1-1/8"	1-1/2"	PRBRG6A	PRBRG2S	BABRG42	
1/2"	1-3/16"	1-5/8"	PRBRG6M			
1/2"	1-3/16"	2-3/16"	PRBRG60	PRBRGS6		BABRG48
5/8"	1-3/16"	2-3/16"	PRBRG6Z			
1/2"	1-3/8"		PRBRGP1		BABRG51	
5/8"			PRBRGP2		BABRG52	
3/4"			PRBRGP3		BABRG53	
3/4"	1-15/16"	2-3/4"	PRBRG89			
3/4"	1-15/16"	3-1/4"	PRBRG69			
1"	1-15/16"	3-1/4"	PRBRGR1			

Notes



DELTRIN & BRONZE BEARINGS

DELTRIN BEARINGS

- Made out of low friction Polyamide
- Excellent for washing down application



BRONZE BEARINGS

- Machined from C954 Tin Bronze, Tensile Strength 90,000 PSI
- Coefficient of Thermal Expansion 600°F
- Resistant to corrosion and wear



Bearing I.D.	Wheel Bore	Wheel Hub Length	Delrin Bearing		Bronze Bearing	
			2-pc Flanged	1-pc Type	2-pc Flange	1-pc Type
3/8"	29/32"	1-9/16"	DLBRG5APM			
3/8"	1-1/8"	1-9/16"	DLBRG55			
1/2"	15/16"	1-9/16"	DLBRG5A			
1/2"	1-1/8"	1-9/16"	DLBRG59			
1/2"	1-3/16"	1-5/8"		DLSPH12		
	1-3/16"	2-3/16"		DLSPJ12		
	1-3/16"	2-3/16"	DLRRG56			
1/2"	40mm	2-3/16"			BRBRG63	
5/8"	1-3/16"	2-3/16"	DLBRG51			
	1-3/16"	2-3/16"		DLSPJ13		
3/4"	1-3/16"	1-5/8"		DLSPH11		
	1-3/16"	2-3/16"	DLBRG57		BRBRG57*	BRBRG11
	1-3/16"	2-3/16"		DLSPJ11		
3/4"	62mm	3-1/4"			BRBRG66	
1"	1-15/16"	3-1/4" or 2-3/4"	DLBRG58			BRBRG78
1"	80mm	4-1/4"			BRBRG68	

* Sintered Bronze
Temperature 460 °F

DELTRIN & BRONZE BEARINGS



PRECISION BALL BEARINGS, TAPERED BEARINGS & TOP HAT BUSHINGS

- Precision Ball bearings reduce friction of the wheels and are perfect for smooth and clean floor.
- Tapered Precision Roller Bearings are capable of taking high radial loads and axial loads. High accuracy pressed steel cage controls roller position resulting in low heat generation at elevated speeds.



PRECISION, TAPERED & TOP HATS

Wheel Width	Hub Length	Desired I.D.	Top Head Spanner	Tapered Precision Roller Bearings	Top Head Spanner	Precision Ball Bearings
1-1/4"	1-9/32"	3/8	THS991300			
			THS991700SS (Stainless)			
1-1/2"	1-5/8"	3/8"			SPSS61 (Straight)	PRBRG61
2"	2-3/16"	1/2"			THP632012	PRBRG63
			THS7012	TPBRG70		
					THS632712	PRBRG63
					THS633112SS (Stainless)	PRBRG63SS (Stainless)
					THS652012SS (Stainless)	PRBRG65SS (Stainless)
					THS652012	PRBRG65
					THS642712	PRBRG64
				THS643112SS (Stainless)	PRBRG64SS (Stainless)	
2.5"	2-3/4"	3/4"	N/A	TPBRG70		
					THS652534	PRBRG65
2.5"	3-1/4"	3/4"			THS653034	PRBRG65
3"	3-1/4"	3/4"			THS653034	PRBRG65
					THS6530SS (Stainless)	PRBRG65SS (Stainless)
			N/A	TPBRG70		
			THS7134	TPRBR71	THS67033400	PRBRG67
			THS7434	TPRBR74		
3"	3-1/4"	1"			THS67031000	PRBRG67
		1"			THS68100NXL	PRBRG68
4"	4-1/4"	1"	THS66301000		THS674010SS(Stainless)	PRBRG7S
			THS7410	TPRBR74	THS67401000	PRBRG67
		1-1/4"	N/A	TPRBR74	THS68401400	PRBRG68

*Bearings must be installed and mounted in casters properly.



SPANNER BUSHINGS



SPANNER BUSHINGS

Bushing I.D.	Bushing O.D.	Bushing Length	Spanner Bushing Type			
			Steel Bushing	Stainless Bushing	Delrin Bushing	
5/16"	3/8"	1"	SPMSKUZ			
		1-5/8"	SPMSKUL			
		1-11/16"	SPMSKUM			
5/16"	1/2"	1-1/2"	SPMSKBK			
		1-5/8"	SPMSKBL			
		2-1/16"	SPMSKBA			
3/8"	12mm	1-11/16"		SPSSB61		
3/8"	20mm	40mm		SPSSB6C		
3/8"	1/2"	1-1/2"	SPMSBBS			
		1-9/16"		SPSSKUL		
		1-5/8"			SPDLQUL	
		1.614"			SPDLBBG	
		1-21/32"	SPMSBBL	SPSSBBL	SPDLBBL	
		1-11/16"	SPMSBBB	SPSSBBB	SPDLBBB	
		1.792"	SPMSB455			
		1-25/32"	SPMSBBD			
		1-15/16"	SPMSBBE			
		2-1/16"	SPMSBBA			
		2-1/8"	SPMSBBF			
3/8"	3/4"	1-11/16"	SPMSBRB		SPDLBRR	
		1-7/8"	SPMSBRQ			
		2"	SPMSBRC			
		2-1/16"	SPMSBRA			
		2-7/16"	SPMSBRJ			
0.46"	5/8"	2-3/64"	SPMSER8			
1/2"	15mm	2-7/16"		SPSSI62		
1/2"	20mm	2-7/16"	SPS64HU			
1/2"	25mm	2"	SPMSIMC			
1/2"	5/8"	2-7/16"	SPMSISJ			
		2-1/4"	SPMSISN			
1/2"	3/4"	1-3/4"	SPMSIRB			
		1-7/8"	SPMSIRQ		SPDLIRQ	
		1.93"	SPMSIRF			
		2"	SPMSIRA			
		2-1/16"	SPMSIRC			
		2-1/8"	SPMSIRH			
		2-5/16"	SPMSIRD			
		2-7/16"	SPMSIRJ	SPSSIRJ	SPDLIRJ	
		Shoulder	2-7/16	SPSSI62		
		3/4"	2-1/2"	SPMSIRK		
		3/4"	2-9/16"	SPMSIRM		
		3/4"	2-7/8"	SPMSIRG		
		3/4"	3"	SPMSIRE		
		3/4"	3-7/64"	SPMSI311		
		3/4"	3-1/4"	SPMSIRP		
		3/4"	3-9/32"	SPMSIRI		
		3/4"	3-3/8"	SPMSIRL		
		3/4"	3-5/8"	SPMSIRT		
		3/4"	3-11/16"	SPMSIRX		
		3/4"	3-31/32"	SPMSIRO		
3/4"	4-3/32"	SPMSIRR				
3/4"	4-1/4"	SPMSIRS				
1/2"	1"	3"	SPMSIJE			
5/8"	3/4"	1-7/8"	SPMSDRQ			
		2-7/16"	SPMSDRJ			
5/8"	25mm	2"	SPMSDMC			
3/4"	25mm	2"	SPMSEMC			
3/4"	1"	2-3/4"	SPMSEJD			
		3"	SPMSEJE			
		3-1/2"		SPSSEJK		
3/4"	1-1/4"	3-9/16"	SPMSEJK			
1"	1-1/4"	3-1/2"	SPMSEEK			
		2-3/4"	SPMSFED			
		3"	SPMSFEE			
		3-9/16"	SPMSFEH			
		4-9/16"	SPMSFEI			
		5-9/32"	SPMSFEZ			
1-1/4"	1-1/2"	4-9/16"	SPMSGFI			
1-1/4"	40mm	109mm	SPMS68S			



Axle O.D.	Axle Length	Zinc Plated				Stainless Steel			Brass Plated		Nickel Plated		Black Coated
		Plain Axle	Zerk Axle	Shoulder Plain Axle	Shoulder Zerk Axle	Plain Axle	Zerk Axle	Shoulder Axle	Zerk Axle	Shoulder Axle	Plain Axle	Zerk Axle	Black
1/4"	1-1/2"	APSG150											
5/16"	1-3/4"	APSF175											
	1-7/8"	APSF178											
	2"	APSF200											
	2-1/16"	APSF216											
	2-1/8"	APSF218											
	2-3/8"	APSF238	AZSF320										
	2-7/16"	APSF276											
	2-1/2"	APSF320											
3/8"	2-3/4"	APSF275											
	2-1/8"	APSA218	AZSA218	APSS218	AZSS218	APTA218	AZTA218						
	2-3/16"	APSA213											
	2-1/4"	APSA214	AZSA224			APTA224	AZTA224			PANA224	AZNA224		
	2-1/4"	APSA214TK											
	2-1/2"	APSA320	AZSA225		AZSS250		AZTA225					AZNA225	
	2-5/16"	APSA232	AZSA256				AZTA232						
	2-3/8"	APSA238	AZSA238			APTA225	AZTA238						
	2-7/16"	APSA276											
	2-3/4"	APSA275	AZSA275	APSS275									
1/2"	3"		AZSA300										
	3-1/4"	APSA325											
	2-1/2"	APSB250	AZSB250										
1/2"	2-3/4"	APSB275	AZSB308		AZSS275								
	2-3/4"	APSB234G8											
	3"	APSB300	AZSB300		AZSS300								
	3"	APSB300G8											
	3-1/2"	APSB312	AZSB312		AZSS312	APT312	AZTB312	AZTS312	AZBB312	AXBB312			AZSB312-B
	3-1/2"	APSP312G8											
	3-1/4"	APSB314	AZSB314		AZSS314								
	3-3/16"	APSB316											
	3-3/4"	APSB375G8	AZSB375										
	3-3/8"		AZSB338										
1/2"	4"		AZSB400				AZTS400						
	4-1/2"		AZSB412						AZBB414				
	4-1/4"		AZSB414		AZSS425								
	4-3/8"	APSB438								APSB438YZ			
	4-3/4"		AZSB434		AZSS434								
	5"		AZSB500		AZSS500								
1/2"	5-1/2"		AZSB512										
1/2"	6-1/2"	APSB612											
1/2"	8-1/2"	APSB812											
5/8"	2-9/16"		AZSA320										
5/8"	3"					APTG183							
3/4"	4-1/4"	APSC414	AZSC414										
	4-3/4"		AZSC434										
3/4"	5"					APTC500							
	5"		AZSC500										
	5"		AZSC500CN										
	5-1/4"		AZSC514										
3/4"	9-9/16"	APSC916											
3/4"	14"	APSC140											
1"	5"	APSD500											
	5-1/2"	APSD512											
	9-9/16"	APSD916											
1-1/4"	6-1/2"	APSE612											
1-1/4"	12"	APSE120											



RETAINER & THRUST WASHERS

RETAINER & THRUST WASHERS



Washer I.D.	Washer O.D.	Plastic Retainer	Plastic Combination	Flat Steel	Sintered Iron Combo	Sintered Stainless Combo	Steel w/ Neoprene	Stainless Flat Steel
1/4"	3/8"			FLT0310				
5/16"	3/8"			SPP5161				
8mm	11.8mm			FLTSP8409				
8.9mm	17.5mm			FLT0520				
3/8"	15mm			FLTRTA7				
	5/8"	PLTRT10						
	1"	PLTTW00						
	1-3/16"			FLT0358				
10mm	15mm			FLT0315				
	24mm			FLT1024				
13/32"	2"			FLTRD20				
1/2"	5/8"			FLTPTAC				
	15/16"	PLTRT00		FLTRT5A				
	1"			FLTW12-37/38				
	1-1/16"			FLTRT01				
	1-3/16"	PLTRTA3		FLTRTA3				
	1.3"			FLTRCAM				
13.7mm	1-3/4"			FLTRTAC				
	30.5mm	PLTRB43		FLTRTRA				
14mm	32.6mm			WHSR1400				
15mm	20mm	PLT6202						
16mm	34mm	PLT6203						
5/8"	1-1/8"	PLTNM43						
	1-3/16"	PLTRTA8		FLTRTA8				
	1-3/8"			FLTRC10				
3/4"	1-3/16"	PLTRR11	PLTRT11	FLTRT11	PWIRT11	PWSRT11	NPSRT11	STLTRT11
	1-3/8"			FLTRT10				
	1.62"							STLTW20A
	1-5/8"							STLTTW20
20mm	26mm			FLT64BC				
	1-7/8"			FLT6204				
0.84"	1.62"			FLTRT02				
7/8"	1"			FLTRD10				
25.1mm	39.7mm			FLTRT19				
1"	2.209"			FLTRT13OV				
	1-7/16"			FLTRT12			NPSRT12	
	1-7/16"			FLTR12A				
	1-15/16"			FLTRT13	PWIRT13		NPSRT13	FLTRS13
	2-1/4"							FLTRS21
	2-3/8"				FLTTW21			
29mm	2-1/2"			FLTTW24				
	33mm			FLTRS4S				
1-1/4"	1-15/16"			FLTRT14			NPSRT14	
	2.209"			FLTRG14OV				
	2-3/4"			FLTTW22				
	2-7/16"			FLTRT15			NPSRT15	
	2-3/4"			FLTRTW22				
1-1/2"	2-7/16"			FLTRT16			NPSRT16	
	3"			FLTTW23				



THREAD GUARDS

Protecting wheel bearings from dust or debris.

- Enhances wheel appearances
- Available in metal and plastic



THREAD GUARDS

Material	I.D.	O.D.	DEPTH	Part #
Metal	5/16"	1.88	0.10	TGC238
		1.60	0.20	TGB165
	3/8"	1.75	FLAT	TGB317
		1.81	0.25	TGB190
		2.80	0.10	TGB280
		2.00	0.28	TGB200
		2.10	0.20	TGB210
		2.16	0.10	TGB216
		2.25	0.35	TGB214
		2.50	0.27	TGB250
		2.80"	0.35	TGB280
		3.15	0.35	TGB315
		3.15	0.39	TGB325
		1/2"	1.88	0.10
	2.70		0.59	TGA270
	2.78		0.30	TGA267
	2.80		0.35	TGA280
	3.15		0.35	TGA315
	3.60		0.35	TGA350
	4"		0.44	TGA394
	4.21		0.50	TGA421
	4.50		0.50	TGA445
	5.50		0.35	TGA550
6.00	0.50		TGA600	
Plastic	3/8"	0.26	0.20	TGP414
		0.32	0.20	TGP514
		1.5"	0.43	TGPPAG
		2.1"	0.35	TGPNMG
		2.2"	0.35	TGP314
	1/2"	0.45	0.32	TGP450
		0.55	0.36	TGP550
		2.50	0.24	TGP250
		2.75"	0.24	TGP275
		3.38	0.30	TGP338
		2.70"	0.20	TGSS068
Stainless	1/2"	3.55"	0.20	TGSS090
		4.53"	0.2"	TGSS115
		6.02"	0.2"	TGSS153



RACEWAY SEALS

- Fits #27, 39, 67, 69, 31 caster series
- Standard seal Temperature Range 32° F to 140°F
- High Temp Neoprene Seal -20°F to 350°F



SEAL TYPE	
Standard Rubber	High-temp Neoprene
RWSEAL27	RWSEAL31

*Raceway is not recommended for high pressure washer applications.

Notes



BRAKE KITS

BRAKE KITS

Thumb Screw Brake RY	
Caster Series	Part Number
01, 03	TSB0000
05	TSB0001



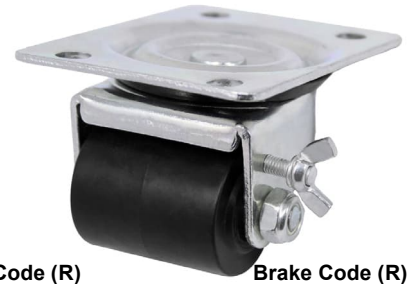
Brake Code (R)



Brake Code (R)



Brake Code (R)



Brake Code (R)

Vertical top Lock Brake VY			
Caster Series	Wheel Dia	Wheel Width	Part Number
03	2"	1-3/4"	VLB20IA
	2-1/2"	1-3/4"	VLB25IA
	3"	1-3/4"	VLB30IA
09	3"	1"	VLB30DA
	4"	1"	VLB40DA
	5"	1"	VLB50DA
75/78	3"	1-1/4"	VLB30GA
	3-1/2"	1-1/4"	VLB35GA
	4"	1-1/4"	VLB40GA
13, 75	5"	1-1/4"	VLB50GA
	2-1/2"	1-1/4"	VLB25GA
	6"	1-1/4"	VLB60GA
79/80	4"	1-1/2"	VLB40H-79
		2"	VLB40J-79
	5"	1-1/2"	VLB50H-79
		2"	VLB50J-79
	6"	1-1/2"	VLB60H-79
		2"	VLB60J-79



Brake Code (V)



Brake Code (V)



Brake Code (V)



Brake Code (V)



Brake Code (V)



BRAKE KITS CONTINUED

BRAKE KITS



Brake Code (T)



Brake Code (T)



Brake Code (T)

Top Lock Brake TY			
Caster Series	Wheel Dia	Wheel Width	Part Number
03	3"(32)	1-3/4"	TLB32IA
07, 13, 21, 23, 75, CW	3"	1-1/4"	TLB30GA
	3-1/2"	1-1/4"	TLB35GA
	4"	1-1/4"	TLB40GA
	5"	1-1/4"	TLB50GA
	6"	1-1/4"	TLB60GA
13, 75	6-1/4"	1-1/4"	TLB61GA
FM	3"	1-1/4"	TLB30GA-FM
	4"	1-1/4"	TLB40GA-FM
	4"	1-1/4"	TLB50GA-FM
SH	3"	1-1/4"	TLB30GA-SH
	4"	1-1/4"	TLB40GA-SH
	4"	1-1/4"	TLB50GA-SH
05	3"(3A)	1-3/4"	TLB30IA
95(Nickel)	3"	1-1/4"	TLB30GA-95
	3-1/2"	1-1/4"	TLB35GA-95
	4"	1-1/4"	TLB40GA-95
	5"	1-1/4"	TLB50GA-95
H9	4"	2"	TLB40H9
	5"	2"	TLB50H9
	6"	2"	TLB60H9
27/28	4"	1-1/2"	TLB40HA
	5"	1-1/2"	TLB50HA
	6"	1-1/2"	TLB60HA
	8"	1-1/2"	TLB80HA
27/28, 39, 41, 43, 45, 47, 51, 4L	4"	2"	TLB40JA
	5"	2"	TLB50JA
	6"	2"	TLB60JA
	8"	2"	TLB80JA
67	8"	Pneumatic	TLB80LA
	10"	Pneumatic	TLB10LA
69(Brass)	8"	2"	TLB80JAB
	8"	Pneumatic	TLB80LB
57, 61	6"	3"	TLB60LR
	8"	3"	TLB80LR
	10"	3"	TLB10LR
27/28(Black)	4"	2"	TLB40JAX
	5"	2"	TLB50JAX
	6"	2"	TLB60JAX
	8"	2"	TLB80JAX
27/28, 39, 41, 43, 45, 47, 51, 4L,	4"	2"	TLB40JAR*
	5"	2"	TLB50JAR*
	6"	2"	TLB60JAR*
	8"	2"	TLB80JAR*

*Rubber cover on brake arm

BRAKE KITS CONTINUED



Brake Code (T)

Stainless Top Lock Brake TY			
Caster Series	Wheel diameter	Wheel Width	Part Number
15, S9, 73	3"	1-1/4"	STB30GA
	4"	1-1/4"	STB40GA
	5"	1-1/4"	STB50GA
15, S9	3-1/2"	1-1/4"	STB35GA
73	3-1/2"	1-1/4"	STB35GA-73
15, S9	6"	1-1/4"	STB60GA
73	6"	1-1/4"	STA60GA-73
31/32	4"	2"	STB40JA
	5"	2"	STB50JA
	6"	2"	STB60JA
	8"	2"	STB80JA
B1/B2	4"	2"	STB-B140
	5"	2"	STB-B150
	6"	2"	STB-B160
	8"	2"	STB-B180



Brake Code (H)

TKB Brake HY			
Caster Series	Wheel Diameter	Wheel Width	Part Number
13, 21	3"	1-1/4"	PTB30GA
	3.5"	1-1/4"	PTB35GA
	4"	1-1/4"	PTB40GA
	5"	1-1/4"	PTB50GA
07, 13, 21, 75, CW, 15, 73	3"	1-1/4"	TKB30GA
	4"	1-1/4"	TKB40GA
	5"	1-1/4"	TKB50GA
07, 13, 21, 75, CW, 15	3-1/2"	1-1/4"	TKB35GA
27,39	4"	2"	TKB40JA
	5"	2"	TKB50JA
	6"	2"	TKB60JA
	8"	2"	TKB80JA
31 (Stainless and High-Temp)	4"	2"	TKS40JA
	5"	2"	TKS50JA
	6"	2"	TKS60JA
	8"	2"	TKS80JA



Brake Code (I)



Brake Code (H)



BRAKE KITS CONTINUED

BRAKE KITS



Brake Code (S)



Brake Code (C)



Brake Code (S)



Brake Code (A)

Side Brake SY, AY			
Caster Series	Wheel Diameter	Wheel Width	Part Number
03	3"	1-3/4"	CAM03AITW
09	3"	1"	CAM0930
	4"	1"	
09	5"	1"	CAM0945
11	2"	15/16"	CAM1120
	2.5"	1-1/16"	CAM1125
	3"	1-1/4"	CAM1130
11, 23	4"	1-15/16"	CAM1140
23	3"	1-1/4"	
13	5"	1-1/4"	CAM50GA
27	4"	1-1/2"	CAM00HA
	5"		
	6"		
27/39	4"	2"	CAM00JA
	5"		
	6"		
	8"		
27	4"	2"	CAM27AA
	5"		
	6"		
	8"		
43	6"	2"	CAM00JB
	8"		
43	6"	2-1/2"	CAM00KB
	8"		
	10"		
67	8"	Pneumatic	CAM280
	10"	Pneumatic	CAM350
27, 28	3-1/4"	1-1/2"	ACB34HA
	4"		
27,28	5"	1-1/2"	ACB00HA
	6"		
27/28	3-1/4"	2"	ACB34JA
	4"		
27/28, 39, 41, 45, 4L, 51, 43/44, 47	5"	2"	ACB00JA
	6"		
	8"		
43/44, 47/48, 51	6"	2-1/2"	ACB00KA
	8"		
	10"		

BRAKE KITS CONTINUED

Brake Code (W)



Wrap Around Brake WB			
Caster Series	Wheel diameter	Wheel Width	Part Number
27	4"	1-1/2"	WBC00HA
	5"		
	6"		
27/39	4"	2"	WBC00JA
	5"		
	6"		
	8"		
27	4"	2"	WBC0027
	5"		
	6"		
	8"		
43	6"	2"	WBC00JB
	8"		
43	6"	2-1/2"	WBC00KB
	8"		
	10"		
67	8"	Pneumatic	WBC280
	10"	Pneumatic	WBC350
27, 28	3-1/4"	1-1/2"	WBCA34HA
	4"		
27,28	5"	1-1/2"	WBCA00HA
	6"		
27/28	3-1/4"	2"	WBCA34JA
	4"		
27/28, 39, 41, 45, 4L, 51, 43/44, 47	5"	2"	WBCA00JA
	6"		
	8"		
43/44, 47/48, 51	6"	2-1/2"	WBCA00KA
	8"		
	10"		



BRAKE KITS CONTINUED

BRAKE KITS



Brake Code (F)



Brake Code (M)



Brake Code (B)

Face Contact Brake - Welded on FY			
Caster Series	Wheel Diameter	Wheel Width	Part Number
27/28, 43/44, 45, 47, 49, 51	4"	2"	FCBA40JZ
	5"	2"	FCBA50JZ
	6"	2"	FCBA60JZ
	8"	2"	FCBA80JZ
43, 51	6"	2.5"	FCBB60KZ
	8"	2.5"	FCBB80KZ
	10"	2.5"	FCBB10KZ
67/68	10"	Pneumatic	FCB673540
	12"	Pneumatic	FCB673640
53, 55, 57, 61	5"	2.5"(K)	FCB50KD
	5"	3"	FCB50LD
	6"	2.5"(K)	FCB60KD
	6"	2.5"(Q) & 3"	FCB60LD
	8"	2.5"(K)	FCB80KD
	8"	2.5"(Q) & 3"	FCB80LD
	10"	2.5"(K)	FCB10KD
	10"	2.5"(Q) & 3"	FCB10LD
	12"	2.5"(K)	FCB12KD
	12"	2.5"(Q) & 3"	FCB12LD
4K	4"	2"	FCB40JA4K
	5"	2"	FCB50JA4K
	6"	2"	FCB60JA4K
	8"	2"	FCB80JA4K
63	6"	3" or 2x1.5"	FCB60LA63
	8"	3" or 2x1.5"	FCB80LA63
	8"	4"	FCB80NA63
	10"	3" or 2x1.5"	FCB10LA63
	10"	4"	FCB10NA63
	12"	3" or 2x1.5"	FCB12LA63
	12"	4"	FCB12NA63
	16"	3"	FCB16LA63
65	8"	4" or 2x2"	FCB80NA65
	10"	4" or 2x2"	FCB10NA65
	12"	4" or 2x2"	FCB12NA65
D1	4"	2 x 2"	FCBD140J
	5"	2 x 2"	FCBD150J
	6"	2 x 2"	FCBD160J
	8"	2 x 2"	FCBD180J
D2	5"	2 X 3"	FCBD250L
	6"	2 X 3"	FCBD260L
	8"	2 X 3"	FCBD280L
	12"	2 X 3"	FCBD212L
D3	6"	2 X 3"	FCBD360L
	8"	2 X 3"	FCBD380L
	10"	2 X 3"	FCBD310L
	12"	2 X 3"	FCBD312L
D4	8"	4" or 2x2"	FCBD480N
	10"	4"	FCBD410N
	12"	4"	FCBD412N
S57(Stainless)	6"	3"	FCBS5760
	8"	3"	FCBS5780
	10"	3"	FCBS5710

BRAKE KITS CONTINUED



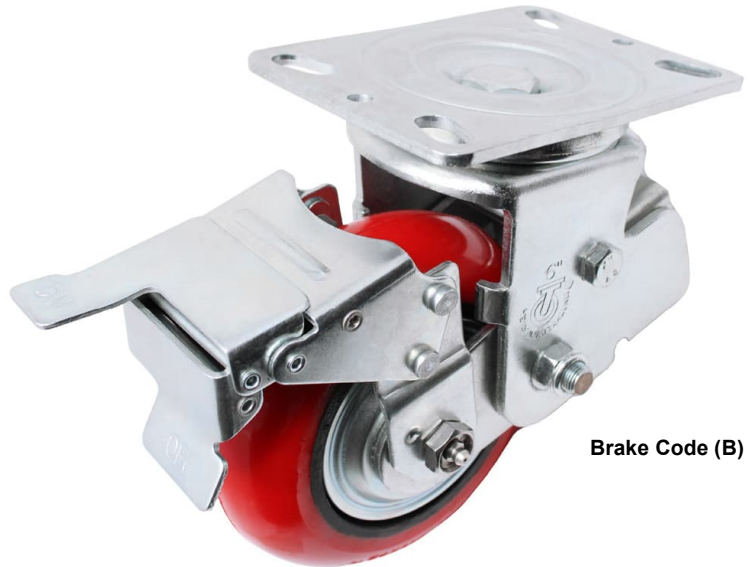
Brake Code (U)

Face Contact Brake - Field Installable DF, UF			
Caster Series	Wheel Diameter	Wheel Width	Part Number
27/28, 41	5"	2"	FCB2750
	6"	2"	FCB2760
	8"	2"	FCB2780
27/28/39, 41, 51, 45, 47, 4L, 43, 44, 4K	4"	2"	UNIVF40JA
	5"	2"	UNIVF50JA
	6"	2"	UNIVF60JA
	8"	2"	UNIVF80JA
43, 44	6"	2.5"	UNIVF4360
	8"	2.5"	UNIVF4380
53, 55, 57, 61	6"	3" or 2x1.5"	FCB60LD-FI
	8"	3" or 2x1.5"	FCB80LD-FI
	10"	3" or 2x1.5"	FCB10LD-FI
	12"	3" or 2x1.5"	FCB12LD-FI
37/38	6"	2"	FCB60JA-37
	8"	2"	FCB80JA-37
3S/3R	6"	2"	FCB60-3S
	8"	2"	FCB80-3S

BRAKE KITS



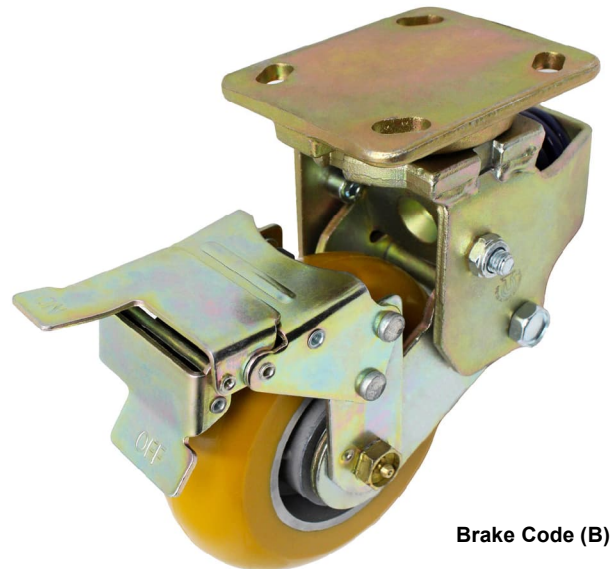
Brake Code (I)



Brake Code (B)



Brake Code (N)



Brake Code (B)



TOE GUARDS

- Changing YY to 4Y at the end of caster part number to add below Toe Guards
- Keeps large debris from contacting wheels and damaging tread
- Available on any casters series with 2" wide wheels and up
- Prevents foot injuries from wheel running over



Toe Guard Code (4)



Toe Guard Code (4)



Toe Guard Code (4)

Changing YY to 6Y at the end of caster part number to add below Toe Guards

- Below Toe Guards available on #28, #41 and #4L



Toe Guard Code (6)

Changing YY to 5Y at the end of caster part number to add below Toe Guards

- Below Toe Guards available on #28, #41, and #4L



Toe Guard Code (5)



SWIVEL LOCK

• Locking caster's swivel section

Caster Series	Part #
13,07,23,75,15,73 Weld-on	DSLWE(One-Directional Lock)
Weld-On Universal Plunger	4PSLWE
27, 39, 41, 45,67	4PFL27
	4PSL27
27(#20 top plate)	4PSL20
Stainless 31, S5, B1	4PSL31
43, 81, 57	4PSL43
47	4PSL47
49	4PSL49
51, 53, 57	4PSL53
55	4PSL55
61, D2	4PLS61
63, D3	4PSL63
64, D4	4PSL65
S57(Stainless)	4PSLS57



4PSL43



4PSL61



4PFL27

SWIVEL LOCK & BRACKETS

Brackets

Description	Stem #	Part Number
180 Degree	90,91,97	FCK91-180
90 Degree	90,91,97	FCK91-90
90 Degree with hole	90,91,97	FCK91-90A



FCK91-180



FCB91-90

Wrenches

Part #	Specs
WR0120URST	Fit upper raceway of #01, #03, #23
WR0320UR	Fit upper raceway of #03ZZ20
WRCHLV00	Fit LV caster
WRNCH08	Fit upper raceway of #08, 1.3" open
WRNCHM12	Fit bottom nut of #21, #75
WRNCHM8	Fit upper raceway of #09

WR0120URST

WR0320UR

WRCHLV00

WRNCH08

WRNCHM12

WRNCHM8





TUBING SOCKETS

TUBING SOCKETS

Tube			Mouting Hole Depth(in)	Stem #	Material	For use in Tubing I.D.	Part Number
I.D.	O.D.	Gauge					
.571"	0.687"	17	1.25"	53, 9B, 90	Nylon	Round	RSK58
.625"	0.75"	16	1.96"	53, 9B, 90, 91, 9C, 49	Nylon		RSK34
0.777"	0.875"	18	1.96"	53, 9B, 90, 91, 9C, 49	Nylon		RSK78
.872"	1.062"	13	2.125"	53, 9B, 90, 91, 9C, 49, 97	Nylon		RSK10
.902"	1.000"	18	2.125"	53, 9B, 90, 91, 9C, 49, 97	Nylon		RSK11
1.072	1.312	11	2.125	53, 9B, 90, 91, 9C, 49, 97	Nylon		RSK12
1.12	1.25	16	2.215	53, 9B, 90, 91, 9C, 49, 97	Nylon		RSK13
1.495	1.625	16	2.125	53, 9B, 90, 91, 9C, 49, 97	Nylon		RSK14
.625"	3/4"	16	1.96"	90,91,97	Nylon		Square
.765"	7/8"	16	1.96"	90,91,97	Nylon	SSK78	
0.87"	1"	16	1.312"	53, 9B, 90	Nylon	SSK10	
0.88"	1.04"	0.080 wall	2.125"	53, 9B, 90, 91, 9C, 49, 97	Nylon	SSK88	
.902"	1"	18	2.125"	53, 9B, 90, 91, 9C, 49, 97	Nylon	SSK89	
1.01"	1.25"	11	2,125"	53, 9B, 90, 91, 9C, 49, 97	Nylon	SSK91	
1.120"	1.250"	16	2.125"	53, 9B, 90, 91, 9C, 49, 97	Nylon	SSK90	
1.402"	1.50"	18	2.125	53, 9B, 90, 91, 9C, 49, 97	Nylon	SSK14	
27.8mm	30mm	1.1mm wall	1.5"	53, 9B, 90, 91, 9C	Nylon	SK9112518G	
1.87"	2"	16	2.62"	95	Plastic	SSK95	
0.571"	0.687"	17	1.37"	53, 9B, 90	Metal	Round	RSS54



Expandable Rubber Adaptor

• Rubber bushing expands inside of tubing with plastic bushing on the bottom to provide stability for the stem.

Adaptor for Round Tubing

Use in Round Tubing I.D.	Expandable Range	Stem Designation when attached to a caster	Adaptor Kit Part #
3/4"	0.720" - 0.851"	71	ADP7134
7/8"	0.852" - 0.927"	72	ADP7278
15/16"	0.900" - 0.980"	7B	ADP7992
1"	0.935" - 1.029"	73	ADP7310
1-1/16"	1.020" - 1.100"	7A	ADP7A16
1-1/8"	1.110" - 1.190"	74	ADP7418
1-3/16"	1.178" - 1.303"	78	ADP7814
1-3/8"	1.360" - 1.425"	75	ADP7538
1-1/2"	1.426" - 1.589"	76	ADP7615
1-7/8"	1.790" - 1.850"	77	ADP7717



Adaptor for Square Tubing

Used in Square Tubing I.D.	Expandable Range	Stem Designation when attached to a caster	Adaptor Kit Part #
3/4"	0.720" - 0.851"	R1	ADS7134
7/8"	0.852" - 0.927"	R2	ADS7278
1"	0.935" - 1.029"	R3	ADS7310
1-1/8"	1.030" - 1.190"	R4	ADS7418
1-3/8"	1.360" - 1.425"	R5	ADS7538
1-1/2"	1.426" - 1.589"	R6	ADS7615
1-7/8"	1.790" - 1.850"	R7	ADS7717



Adaptor for Square Tubing

Used in Square Tubing I.D.	Expandable Range	Stem Designation when attached to a caster	Adaptor Kit Part #
1-3/8"	1.360" - 1.425"	U5	ADR7538



Stainless Adaptor for Round Tubing with Stainless Knurl Nut

Use in Round	Expandable Range	Stem Designation when attached to a caster	Adaptor Kit Part #
7/8"	0.852" - 0.927"	A2	ASP7278
1"	0.935" - 1.029"	A3	ASP7310
1-3/8"	1.360" - 1.425"	A5	ASP7538
1-1/2"	1.426" - 1.589"	A6	ASP7615



Stainless Adaptor for Round Tubing with Non-Stainless Knurl Nut

Use in Round Tubing I.D.	Expandable Range	Stem Designation when attached to a caster	Adaptor Kit Part #
3/4"	0.720" - 0.851"	N1	ANP7134
7/8"	0.852" - 0.927"	N2	ANP7278
15/16"	0.900" - 0.980"	NB	ANP7992
1"	0.935" - 1.029"	N3	ANP7310
1-1/16"	1.020" - 1.100"	NA	ANP7A16
1-1/8"	1.110" - 1.190"	N4	ANP7418
1-3/16"	1.178" - 1.303"	N8	ANP7814
1-3/8"	1.360" - 1.425"	N5	ANP7538
1-1/2"	1.426" - 1.589"	N6	ANP7615
1-7/8"	1.790" - 1.850"	N7	ANP7717





PIPE THREAD STEM ADAPTOR

- Fit 7/16" grip ring stem casters
- 3/4" NPT x 1"

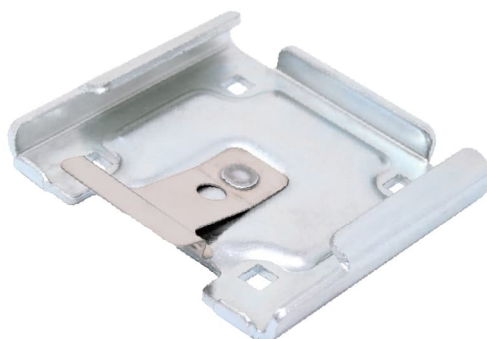


Description	Part #
Accommodates 7/16" dia. Grip ring stem	NPT34

QUICK CHANGE CASTER PADS/PLATES

Spring Clip

- Attach to equipment using a 5/16" square head bolt
- Install & replace caster by one clip
- Zinc plated



Bolt

- Install & Replace Caster with just one bolt/nut
- Unplated for easy welding to carts



TOP PLATE #	Top Plate Dimensions	Series of Casters	Installation Type	
			Spring Clip	Bolt
06	2-3/8 x 3-5/8	13, 75, CW, 21, T3, TH/SH, BK, F7, T9	CP006	CP006BT
A7	3-53/64 x 4-13/32	27/28	CPA7-02	CP100TNT
17	4x4-15/32	27/28, 39, RL/RX, 41	CP17-02	CP100UNI
17	4 x 4-1/2	45		CP100-45
19	4-1/2 x 6-1/4	43/44		CP019

FLOOR LOCKS

- Rubber pad increases friction to secure the braking systems of carts
- Variety of floor locks to pair with different series of casters
- Zinc plated

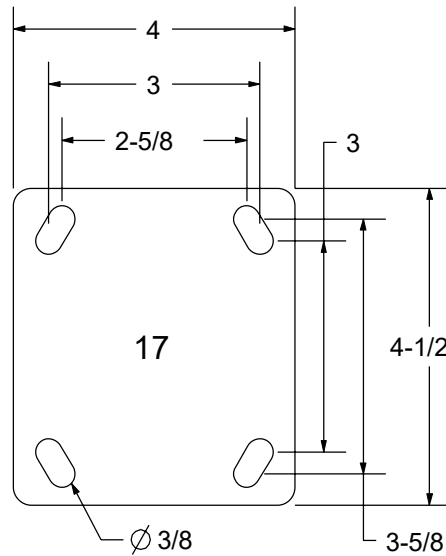
Kick Bar Style

To fit caster series 13, 17, 21, 75, T3



Caster Wheel Diameter	Extended Height	Retracted Height	Part #
3"	4-3/4"	3-7/8"	FL300G6
4"	5-1/2"	4-1/2"	FL400G6
4"	5-1/2"	4-1/2"	FL400G6A
5"	6-1/2"	5-3/8"	FL500G6

To fit caster series 27, 39, 41, 45



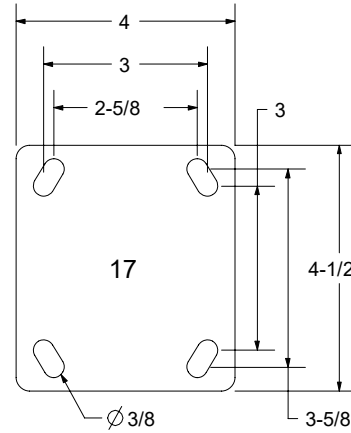
Caster Wheel Diameter	Extended Height	Retracted Height	Part #
4"	5-3/4"	5-1/16"	FL40017
5"	6-5/8"	5-5/8"	FL50017
6"	7-5/8"	6-5/8"	FL60017
8"	9-5/8"	8-5/8"	FL80017



FLOOR LOCKS CONTINUED

Pedal Lever

FLOOR LOCKS



To fit caster series 27, 39, 41, 45

Caster Wheel Diameter	Extended Height	Retracted Height	Part #
4"	5-7/8"	4-5/8"	FL40117
4"	5-7/8"	4-5/8"	FL40A17*
5"	6-3/4"	5-1/2"	FL50117
6"	7-3/4"	6-1/2"	FL60117
8"	9-3/4"	8-1/2"	FL80117

*with extended foot pedal

Adjustable floor lock

- Additional 5/8" to be extended in case of uneven floor

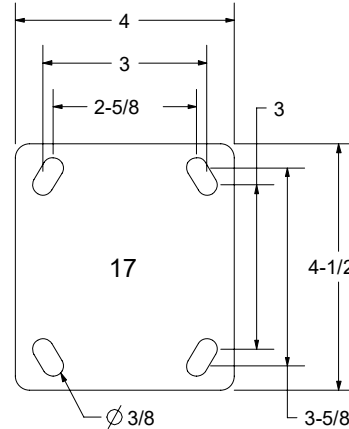


Caster Wheel Diameter	Extended Height	Retracted Height	Adjustable Range	Part #
4"	5-7/8"	4-5/8"	5/8"	FL40117AJ
5"	6-3/4"	5-1/2"	5/8"	FL50117AJ
6"	7-3/4"	6-1/2"	5/8"	FL60117AJ
8"	9-1/2"	8-1/2"	5/8"	FL80117AJ

FLOOR LOCKS CONTINUED

Ergonomic Floor Lock

- Extended ON/OFF pedal for ergonomic operation



To fit caster series 27, 39, 41, 43, 45

Caster Wheel Diameter	Extended Height	Retracted Height	Part #
5"	6-13/16"	5-3/16"	FL50ERG
6"	7-3/4"	6-1/8"	FL60ERG
8"	9-1/2"*	7-7/8"	FL80ERG

*add a shim plate when the caster has metal wheel

Stainless Floor Lock

- S304 stainless structure is corrosion resistant

Best suited applications:

- Around water-boating environments, fisheries, cruise ship, etc.
- Pharmaceutical, medical/hospital and laboratories
- Food processing (chicken/slaughter plants)
- Medical waste disposal
- Some clean rooms
- Autoclaves
- Bakeries



To fit caster series 31, B1, B3, S5, 4S

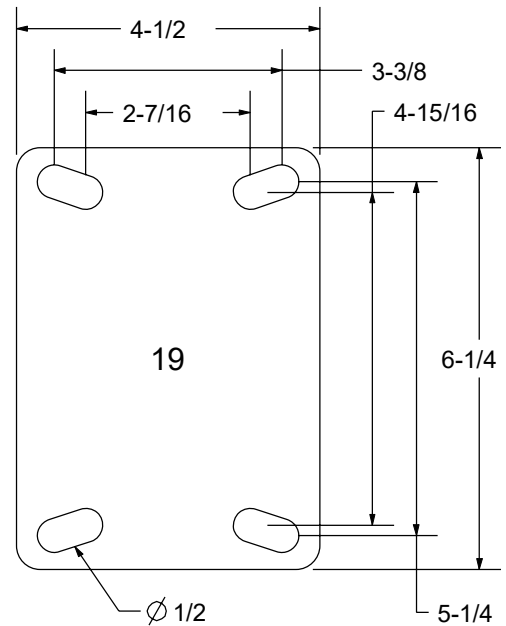
Caster Wheel Diameter	Extended Height	Retracted Height	Part #
4"	5-7/8"	4-5/8"	FL40S17
5"	6-3/4"	5-1/2"	FL50S17
6"	7-3/4"	6-1/2"	FL60S17
8"	9-1/2"	8-1/2"	FL80S17



FLOOR LOCKS CONTINUED

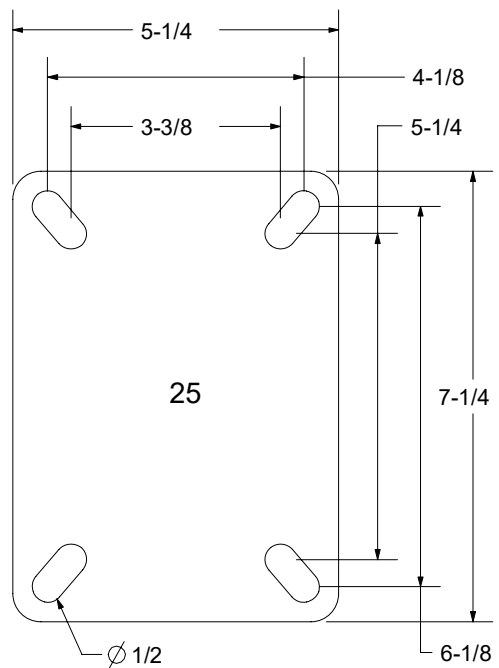
Cast iron floor Locks

FLOOR LOCKS



To fit caster series 53, 57

Caster Wheel Diameter	Extended Height	Retracted Height	Part #
6"	8"	6-7/8"	FL60319
8"	10-1/4"	9-1/8"	FL80319
10"	12-1/4"	11-1/8"	FL10319



To fit caster series 55, 61

Caster Wheel Diameter	Extended Height	Retracted Height	Part #
6"	8-1/2"	7-1/8"	FL60325
8"	10-5/8"	9-1/2"	FL80325
10"	12-5/8"	11-1/2"	FL10325

FLOOR LOCKS CONTINUED

Heavy duty Floor lock to fit caster series 53, 55, 57, 61

- Mounting bolt hole 2-7/16" x 4-15/16" to 3-3/8" x 5-1/4"
- Top plate 4-1/2" x 6-1/4"

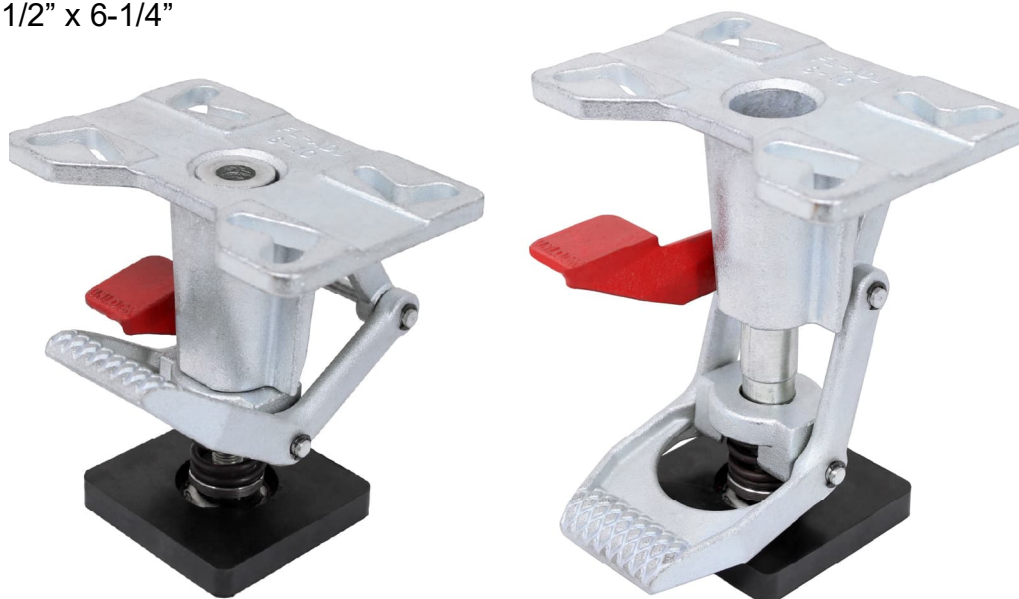


To fit caster series 53, 55, 57, 61

Caster Wheel Diameter	Extended Height	Retracted Height	Part #
6"	8-8/16"	6-1/2"	FL60D19
8"	10-9/16"	9"	FL80D19

Adjustable Floor lock to fit caster series 53, 55, 57, 61

- Mounting bolt hole 2-7/16" x 4-15/16" to 3-3/8" x 5-1/4"
- Minimum retraction 6-7/8", maximum retraction 10-1/8"
- Minimum extension 8-1/4", maximum extension 11-9/16"
- Adjustable height for uneven floor
- Top plate 4-1/2" x 6-1/4"

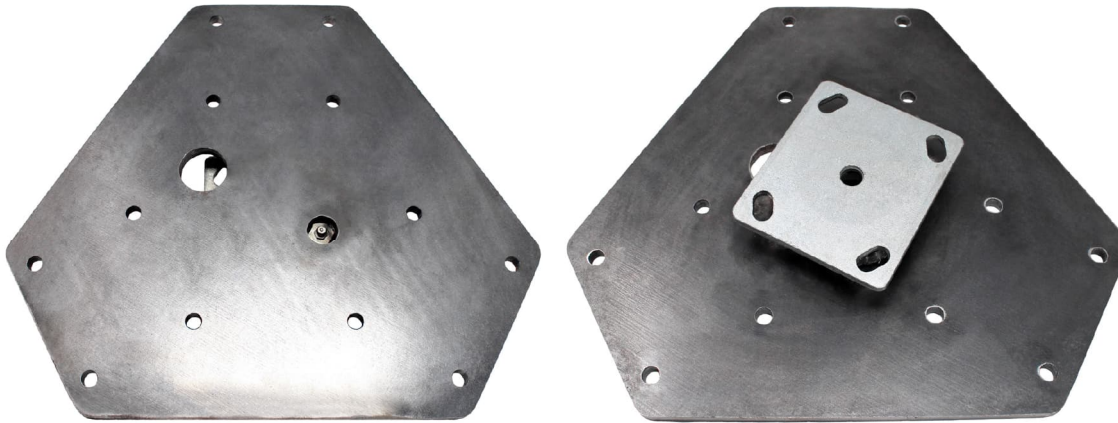


Caster Series	Caster Wheel Diameter	Adjustable Range	Extended Height	Retracted Height	Part #
53,55,57,61	6",8"	3-3/8"	8-1/4"-11-9/16"	6-7/8"-10-1/8"	FL00J19



TRIPLE SWIVEL DOLLY BASE

- Pre-drilled mounting holes for triple swivel casters
- With lubrication fitting



Caster Mounting Spacing	Caster plate Number	Plate Base Thickness	Mounting bolt	Load capacity	Part Number
2-7/8" X 1-3/4"	06	5/16"	5/16"	1000	DPL0006
3-15/16" x 2-13/16"	17	3/8"	3/8"	2000	DPL0017

TURN TABLE

- Hardened raceway with a lubrication fitting

- Zinc plated

Applications:

- Work stations
- Display
- Material handling
- Packaging
- etc.



Description	Top Plate	Bottom Plate	Overall Height	Capacity	Part Number
3/8" ball bearings, 2-3/8" raceway	4" x 4-1/2"	4" x 4-1/2"	1-9/16"	2000	451710916
		4-1/2" x 6-1/4"	1-9/16"	2000	451910916
		5-1/4" x 7-1/4"	1-13/16"	2000	452511316
1/2" ball bearings, 3" raceway	4-1/2" x 6-1/4"	4-1/2" x 6-1/4"	1-11/16"	7000	611911116
		5-1/4" x 7-1/4"	2-1/16"	7000	612520116
5/8" ball bearings, 4-1/2" raceway	6-1/4" x 7-1/2"	6-1/4" x 7-1/2"	2-3/8"	20000	633020308
3/4" ball bearings, 7" raceway	8-1/2" x 8-1/2"	8-1/2" x 8-1/2"	2-1/2"	40000	654520102

WELD PLATE/SHIM PLATES

- Used to increase height of Casters
- Can be welded or bolted on



Overall Size	Thickness	Bolt Hole Pattern	Unplated	Zinc Plated	Stainless
2-3/8" x 3-5/8"	0.15"	1-3/4" x 2-7/8" slotted to 3"	14ZZZZZZZ06UY	14ZZZZZZZ06YY	
3-1/8" x 4-1/8"	0.15"	1-3/4" x 2-15/16" to 2-3/8" x 3-3/8"	14ZZZZZZZ11UY	14ZZZZZZZ11YY	
4" x 4-1/2"	0.215"	2-5/8" X 3-5/8" Slotted to 3" x 3"	28ZZZZZZZ17UY	28ZZZZZZZ17YY	32ZZZZZZZ17YY
4-1/2" x 6-1/4"	.215"	2-7/16" x 4-15/16" slotted to 3-3/8" x 5-1/4"	44ZZZZZZZ19UY		
4-1/2" x 6-1/4"	0.325"	2-7/16" x 4-15/16" slotted to 3-3/8" x 5-1/4"	54ZZZZZZZ19YY		
5-1/4" x 7-1/4"	0.325"	3-3/8" x 5-1/4" slotted to 4-1/8" x 6-1/4"	56ZZZZZZZ25YY		
4" x 4-1/2"	0.307"	3" x 3" tap 3/8" - 16	62ZZZZZU317		
6-1/4" x 7-1/2"	0.36"	4-1/2" x 6" slotted to 4-1/8" x 6-1/8"		64ZZZZZZZ30YY	
77mm x 96mm	0.15"	45mm x 75mm to 60mm x 80mm	FRZZZZZZZMSUY		
4-1/2" x 6-1/4"	0.325"	2-7/16" x 4-15/16" slotted to 3-3/8" x 5-1/4"			S58ZZZZZZZ19YY

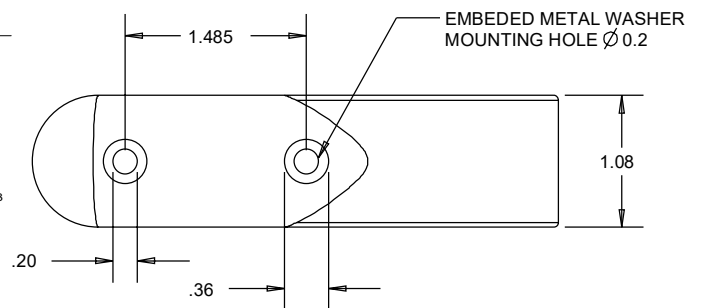
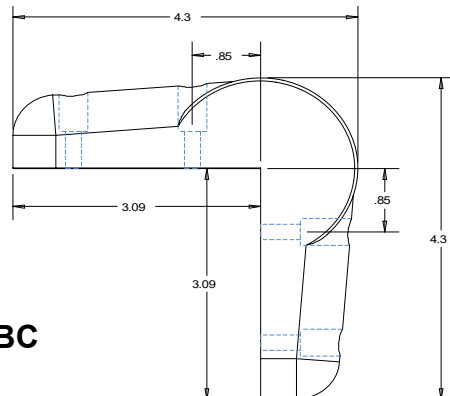
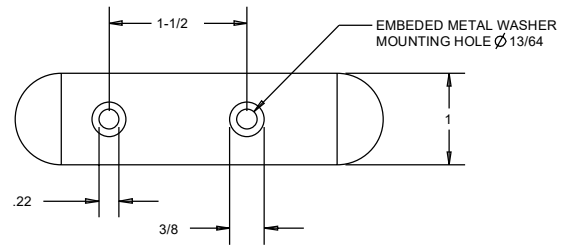
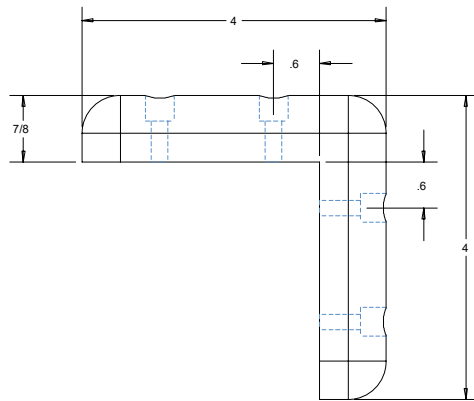
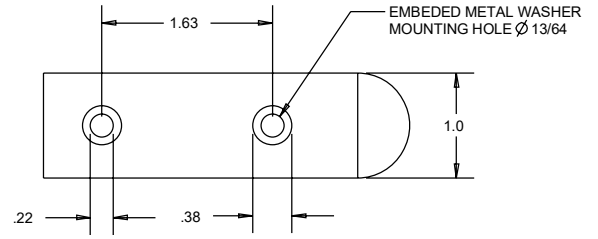
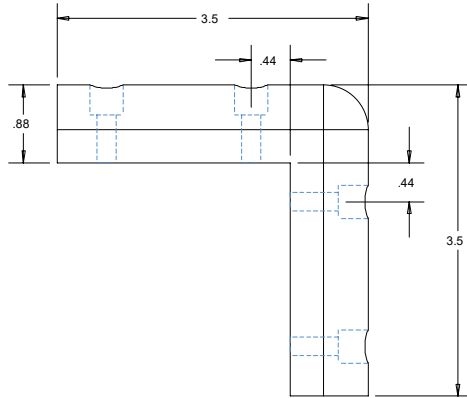


BUMPERS

Corner Bumpers

- Equipped with steel Insert

Color	Part #
Black	CB100B
Gray	CB100G
Gray	CB100G-BC
Gray	CB101G



Rolling Bumper

- Varieties of Center bushings to fit caster stems
- Gray rubber bonded to zinc plated insert
- Extra Thick edge 13/16"
- Diameter 5"

Part #	Caster Stem Dia.
CB50070	1/2"
CB50093	13/16"
CB50095	0.846"
CB50073	1"
CB50074	1-1/8"



Tubing Bumper

- Fit into 1" O.D. Tubing
- Bumper diameter 3-1/2"

Part #	I.D.
CB200	1"



End Bumper

- Generally used on the Ends of tubular handles on carts
- Equipped with steel Insert
- Diameter: 3-1/4"

Part #	I.D.
CB300	5/16"
CB301	1/2"





Rubber Cap For Dollies

- Fits standard 18 x 3 dollies
- 1" deep

Part #

DC1830



Spring Loaded Latches

Part #RKLR002

- Round
- Barrel-Round Nose



Part #RKLR001

- Round
- Barrel-Slanted Plunger



Part #RKLH001

- Hexagon
- Barrel-Beveled Plunger



DURABLE U.S.A. INC.
Corporate Office: 2801 E. Abram St., Arlington, TX 76010

800-848-4517 (phone) 972-206-0950 (fax)

Sales: [info@durableusa.com](mailto:info@ durableusa.com)
Engineering Support: engineer@durableusa.com



WWW.DURABLEUSA.COM